

ARM926EJ-S AM1808 Mango1808 Hardware Manual

<http://www.mangoboard.com/>

<http://cafe.naver.com/embeddedcrazyboys>

Crazy Embedded Laboratory

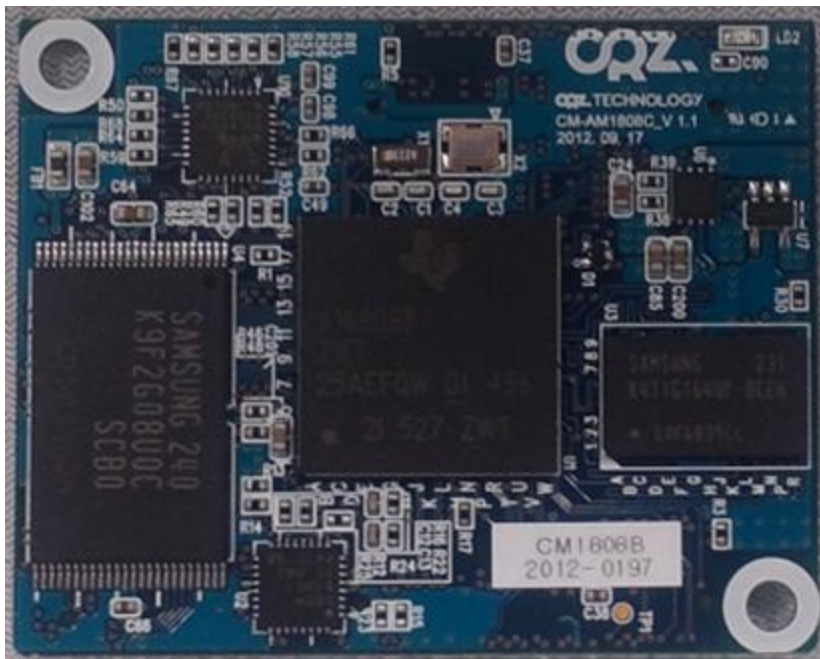
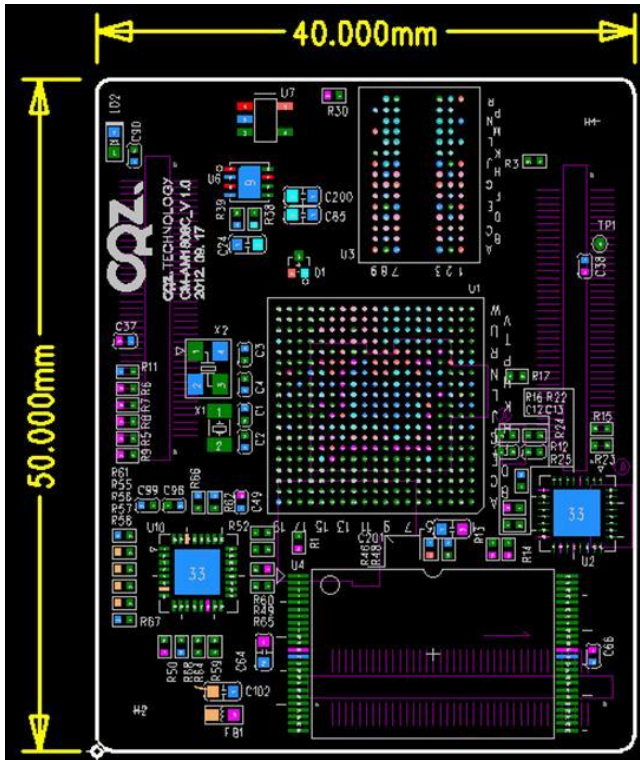
Document History

Revision	Date	Change note

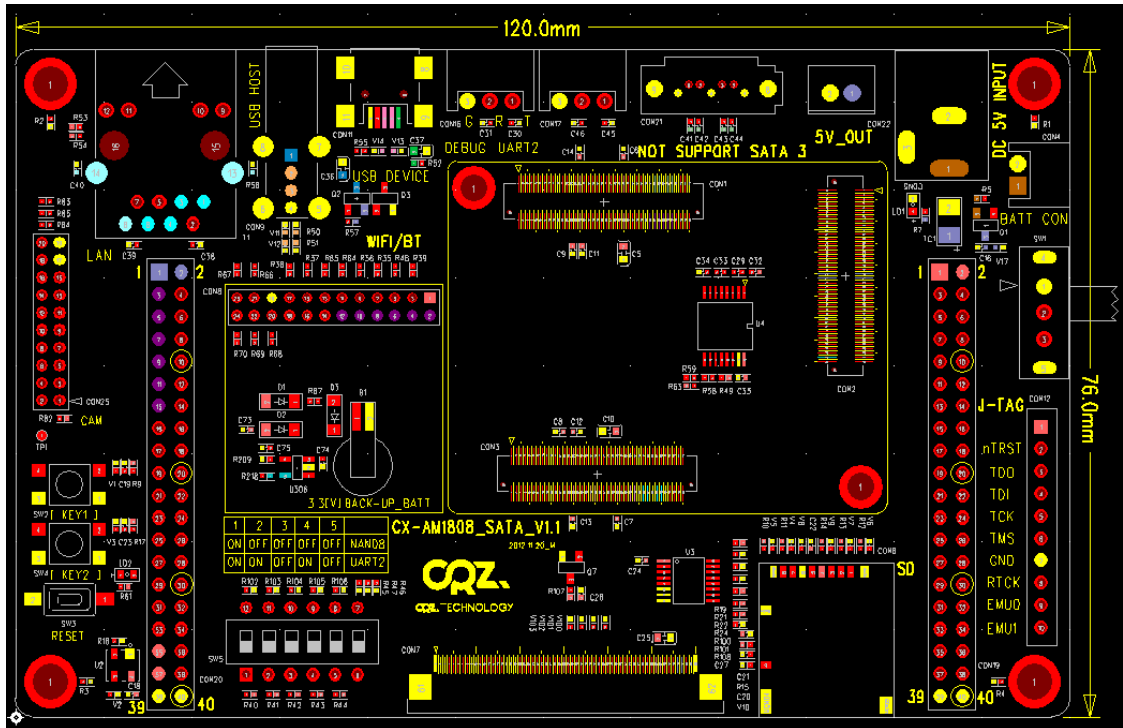
1. [Mango1808 Hardware Specification](#)
2. [BOOT MODE](#)

1. Mango1808 Hardware Specification

< AM1808 CM-AM1808 CPU Module >



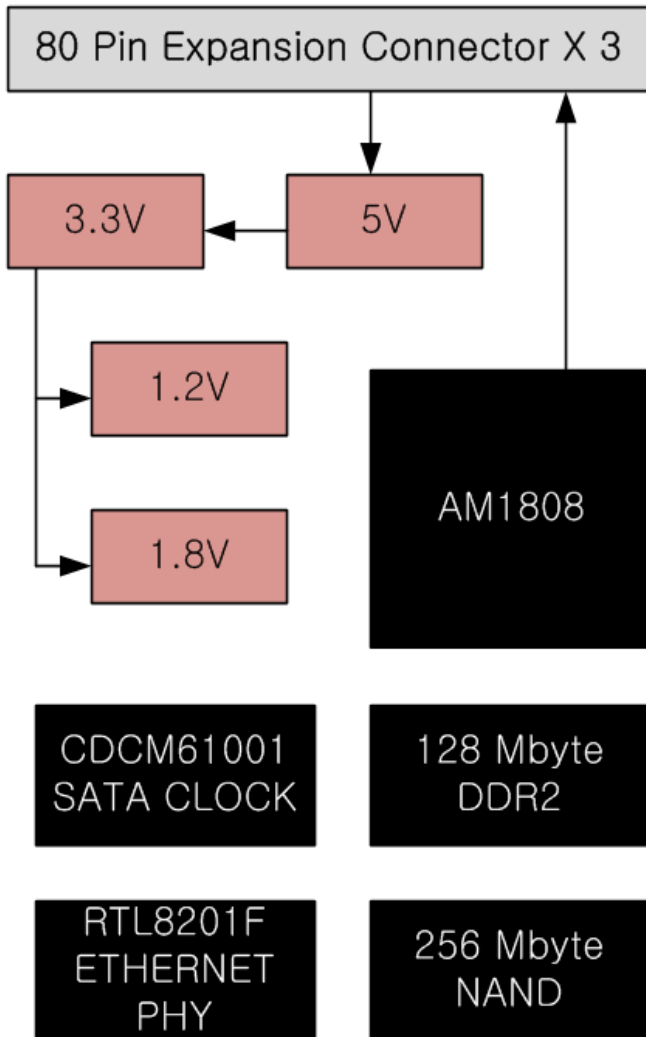
Expansion Board(CX-AM1808)



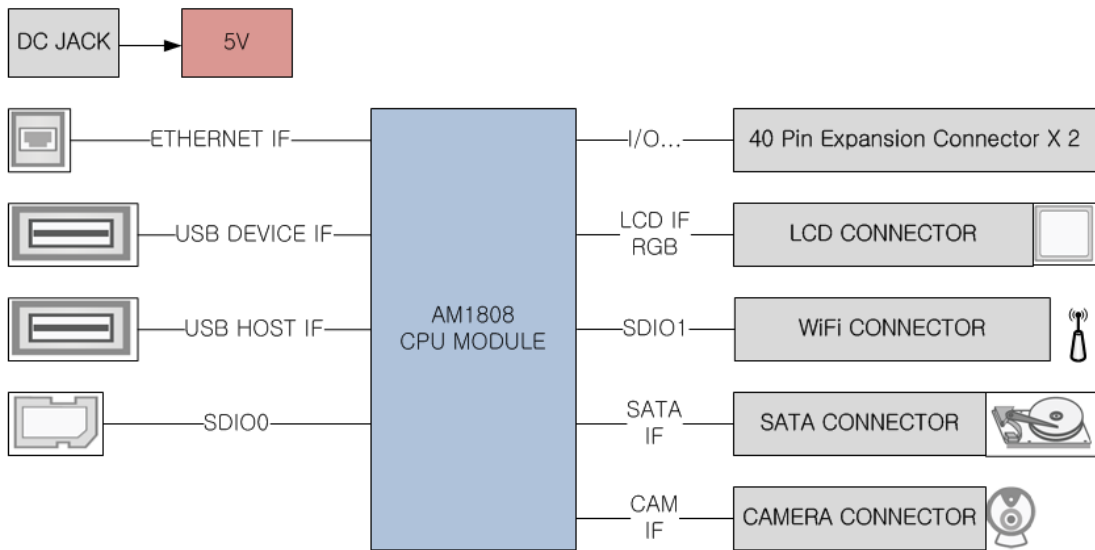
Boot Switch	1
LED indicator	1
Expansion Connector (80x2)	EBI,UART,I2C GPIO etc

Block Diagram

<CM AM1808 CPU Module>

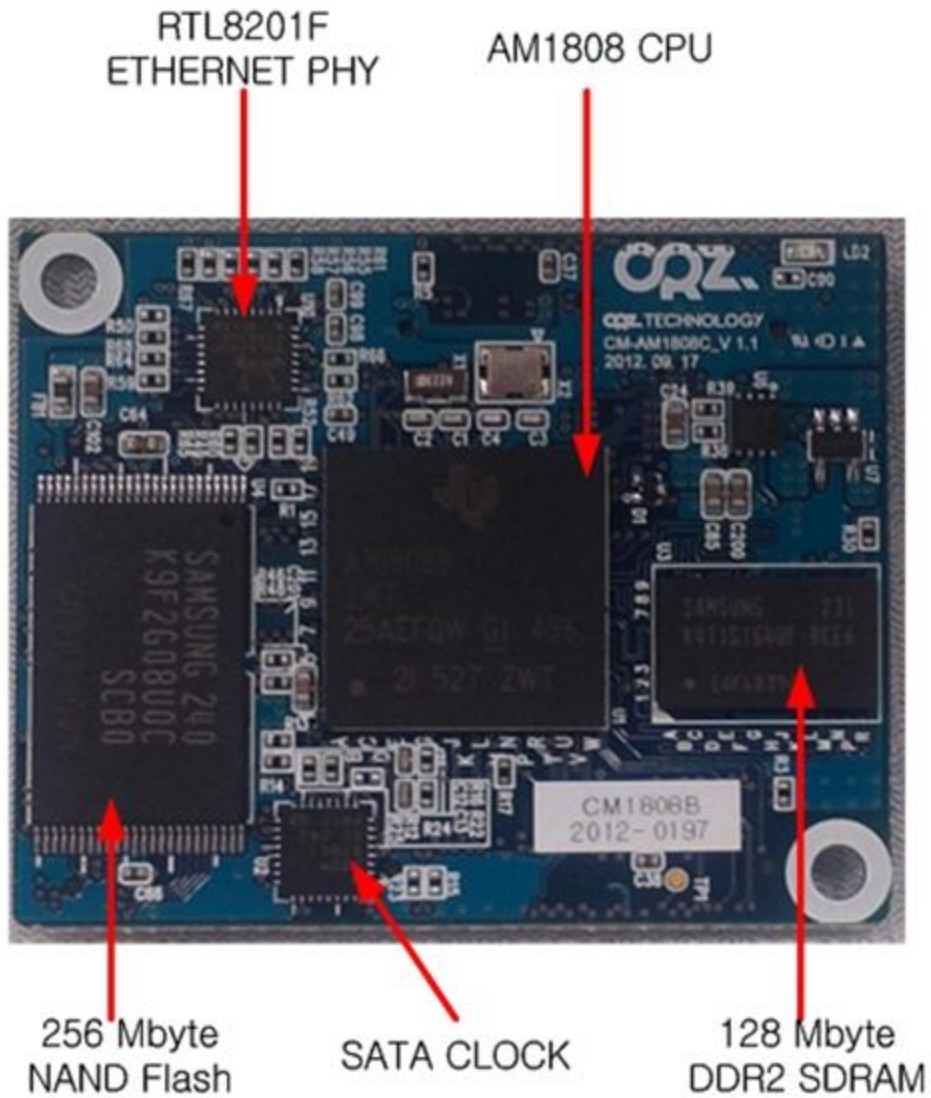


<CM AM1808 Base Board>

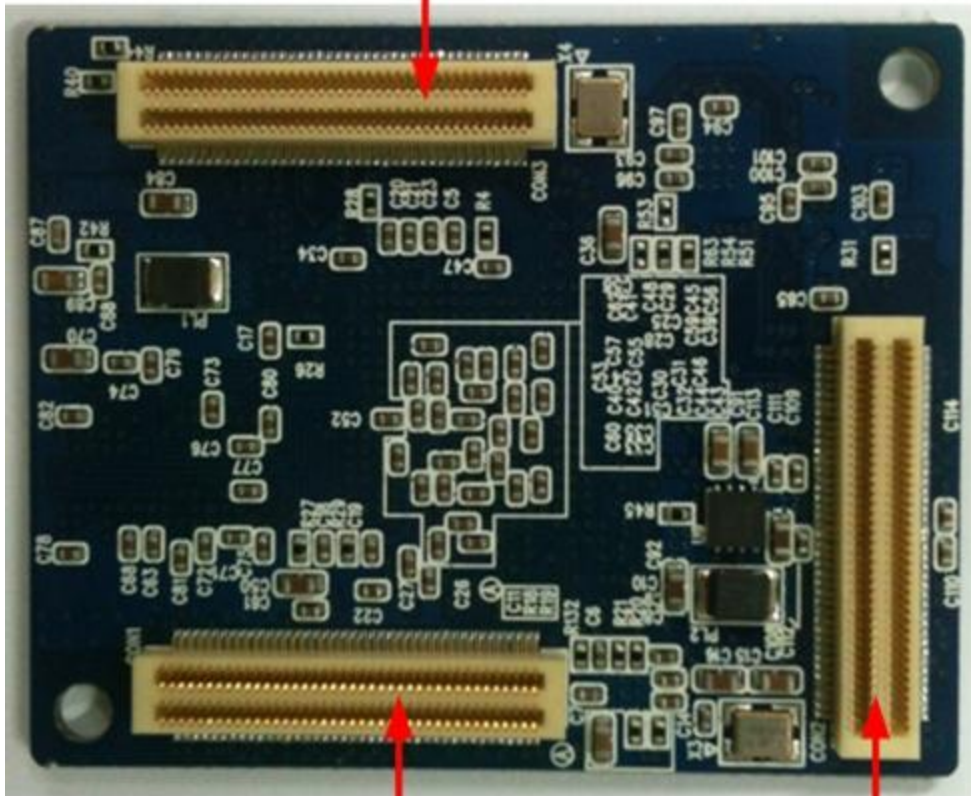


배치도

<CPU Module>

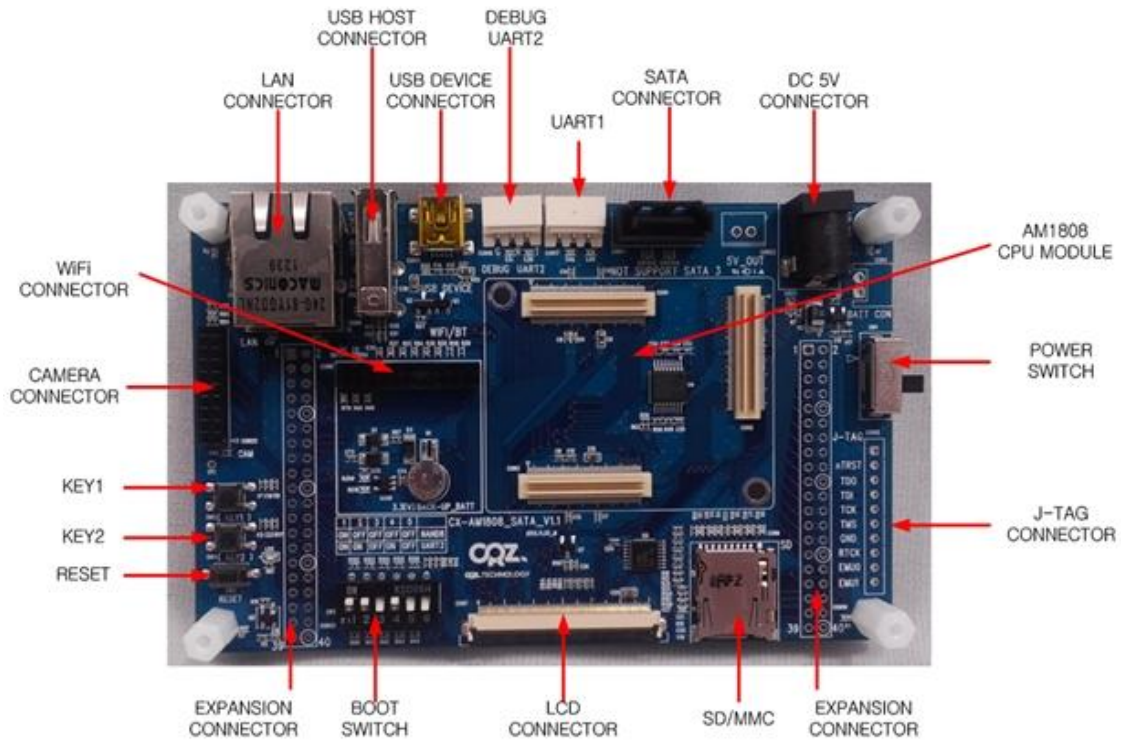


80P CONNECTOR
(CON3)



80P CONNECTOR
(CON1)

80P CONNECTOR
(CON2)



2. BOOT MODE

